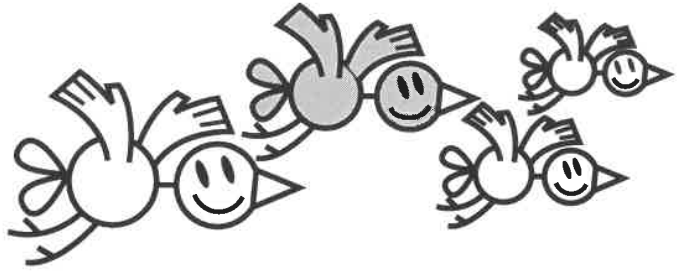


Name _____

4-digit numbers

Complete the table.




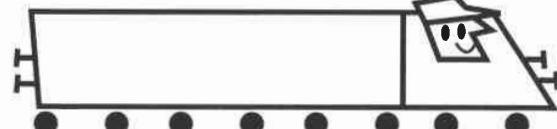



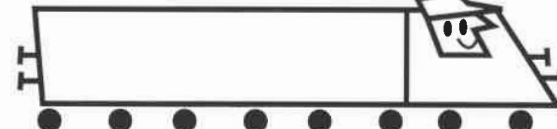







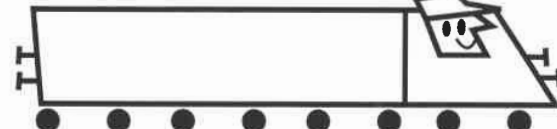



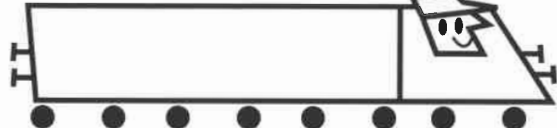















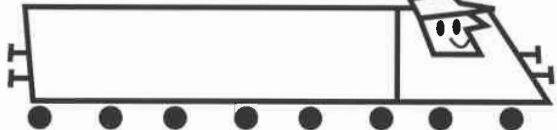






	1 less	10 more	100 less	1000 more
3728	3727	3738	3628	4728
5462				
7531				
4089				
2971				
3296				
2504				
3098				
9501				
2309				
4095				
6200				

Name _____

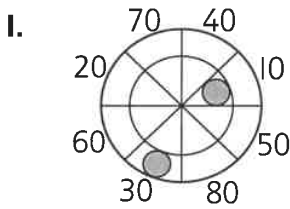
Adding

Complete these.

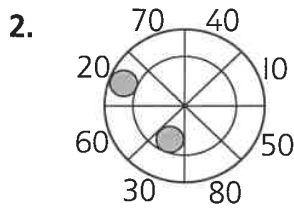
1.  +  +  = 
2.  +  +  = 
3.  +  +  = 
4.  +  +  = 
5.  +  +  = 
6.  +  +  = 
7.  +  +  = 
8.  +  +  = 
9.  +  +  = 
10.  +  +  = 

Doubling

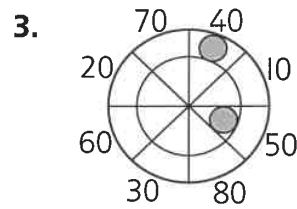
Darts in the outer ring count double. Write the scores.



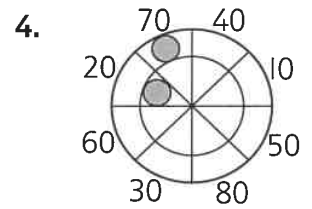
score _____



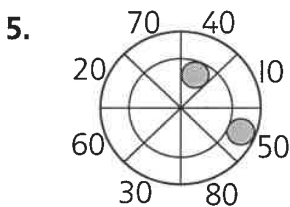
score _____



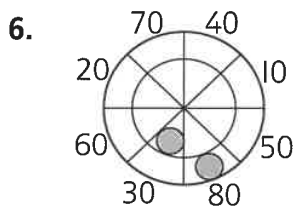
score _____



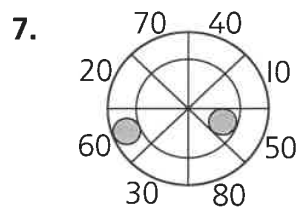
score _____



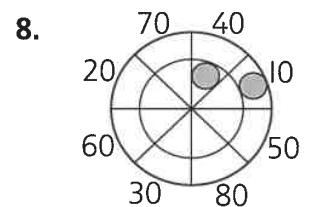
score _____



score _____

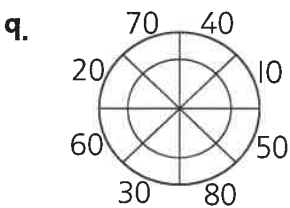


score _____

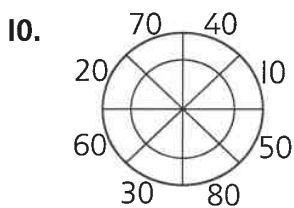


score _____

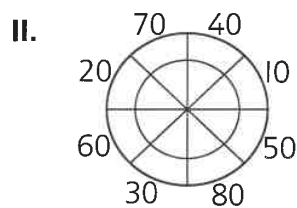
Draw two darts on each board to make the score. One dart must be a double.



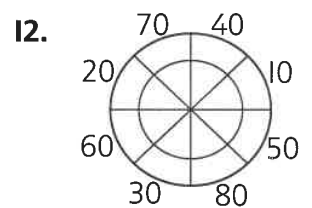
score 150



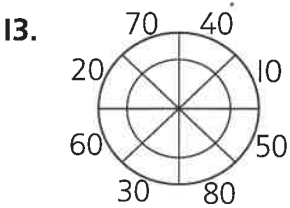
score 130



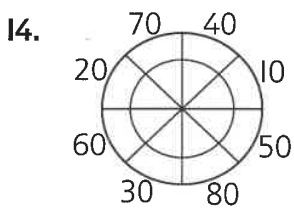
score 190



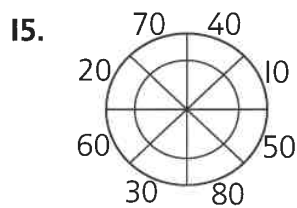
score 140



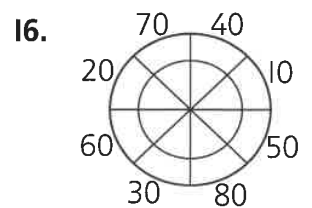
score 170



score 200



score 70



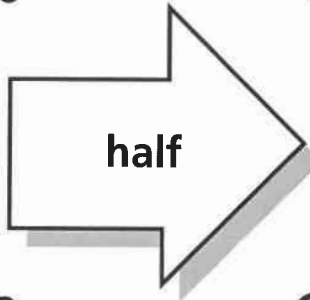
score 230

Name _____

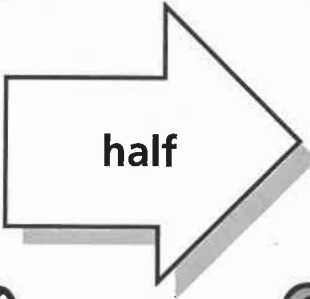
Halving

Complete the grids.

10	24	18
16	20	12
22	14	26



62	28	82
50	64	42
24	48	66



32	88	70
84	64	52
74	56	38

